

Fehr

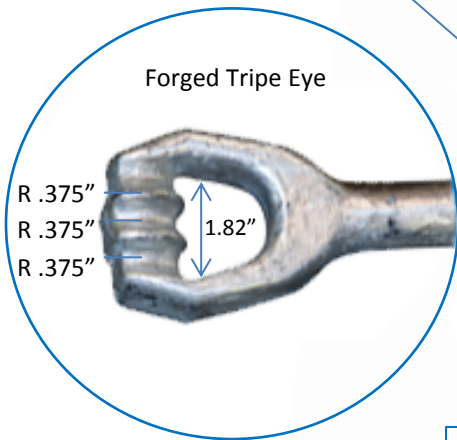
Need Help? 800-431-3095

Forged No-Wrench Anchors

1 - 1/4" x 66" Triple Strand No-Wrench Screw Anchor 10" Helix

Anchors are installed by simply turning the anchor into the ground, utilizing a turning bar placed through the anchor's forged eye. No-Wrench Anchors can be installed by hand or by machine.

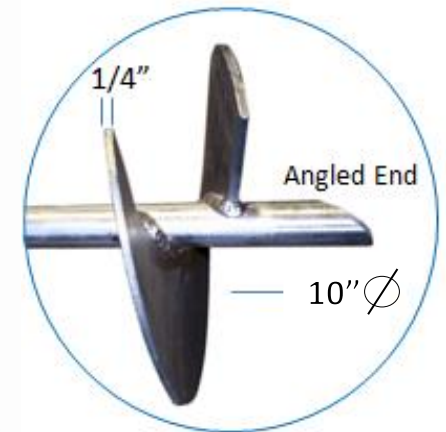
Screw Anchors consist of a forged triple eye rod with an angled point, and a firmly welded helix.



Part # Helix10-66

| Part Number | Helix OD | Helix Thickness | Rod Size |
|-------------|----------|-----------------|------------|
| Helix4-54 | 4" | 3/16" | 3/4"x54" |
| Helix6-66 | 6" | 1/4" | 3/4"x66" |
| Helix8-66 | 8" | 1/4" | 1"x66" |
| Helix10-66 | 10" | 1/4" | 1-1/4"x66" |
| Helix10-96 | 10" | 1/4" | 1-1/4"x96" |

- Rod conforms to 1045
- Plate conforms to Q345
- Hot Dipped Galvanized in accordance with ASTM A123/A123M with Coating Grade: 80



1-1/4" \varnothing
66"

